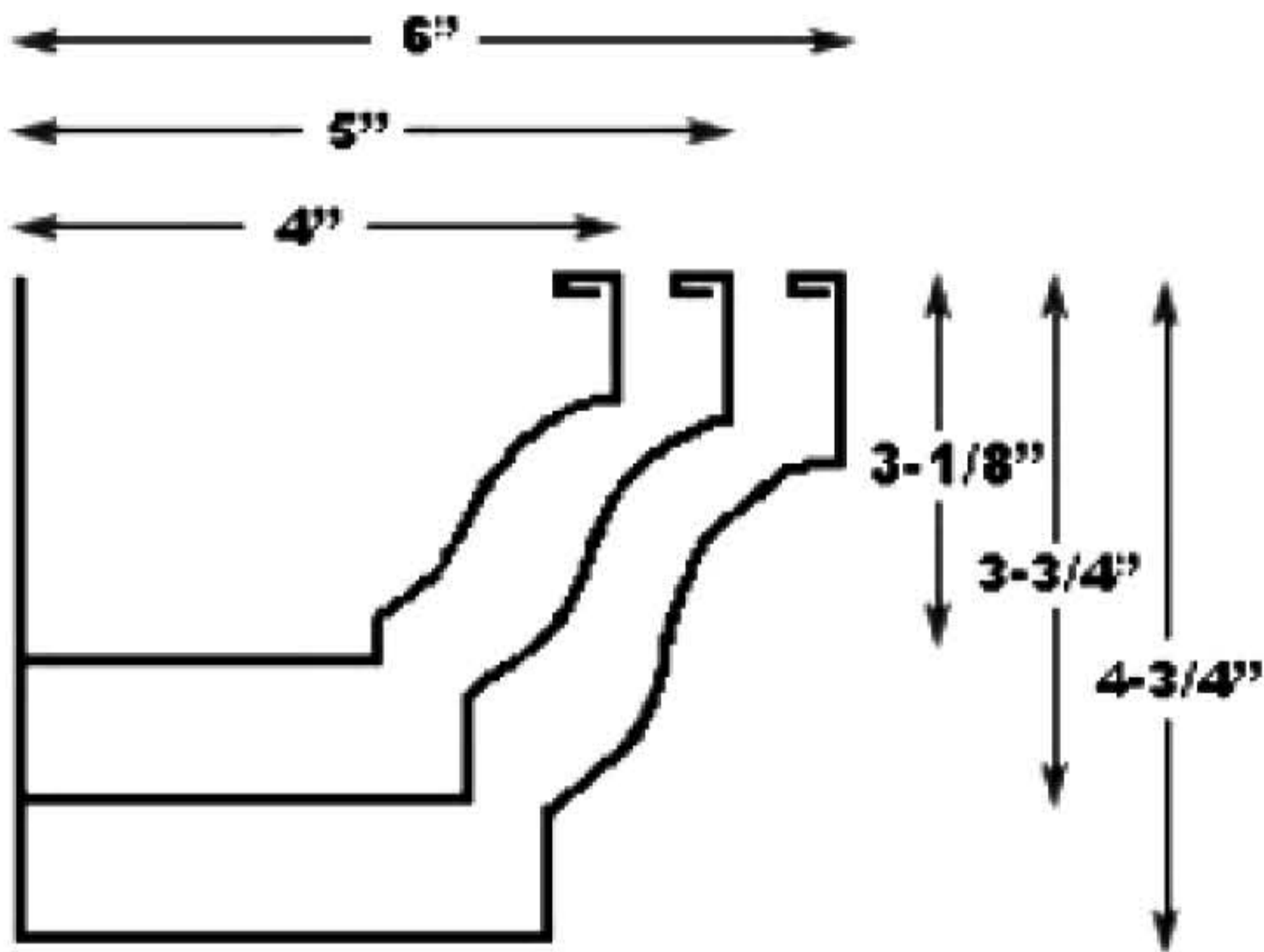




GUTTER STYLES & PROFILES offered by NSHS

COLONIAL



Colonial available in 4", 5", or 6"

The **Colonial Gutter** is the most common for residential applications in Vancouver and the Lower Mainland. A relatively wide bottom allows for a large outlet to be installed and attached to the downpipe. Debris is less likely to be trapped as much as gutter profiles with narrower bottoms.

NSHS offers 4, 5, and 6 inch colonial gutter styles.

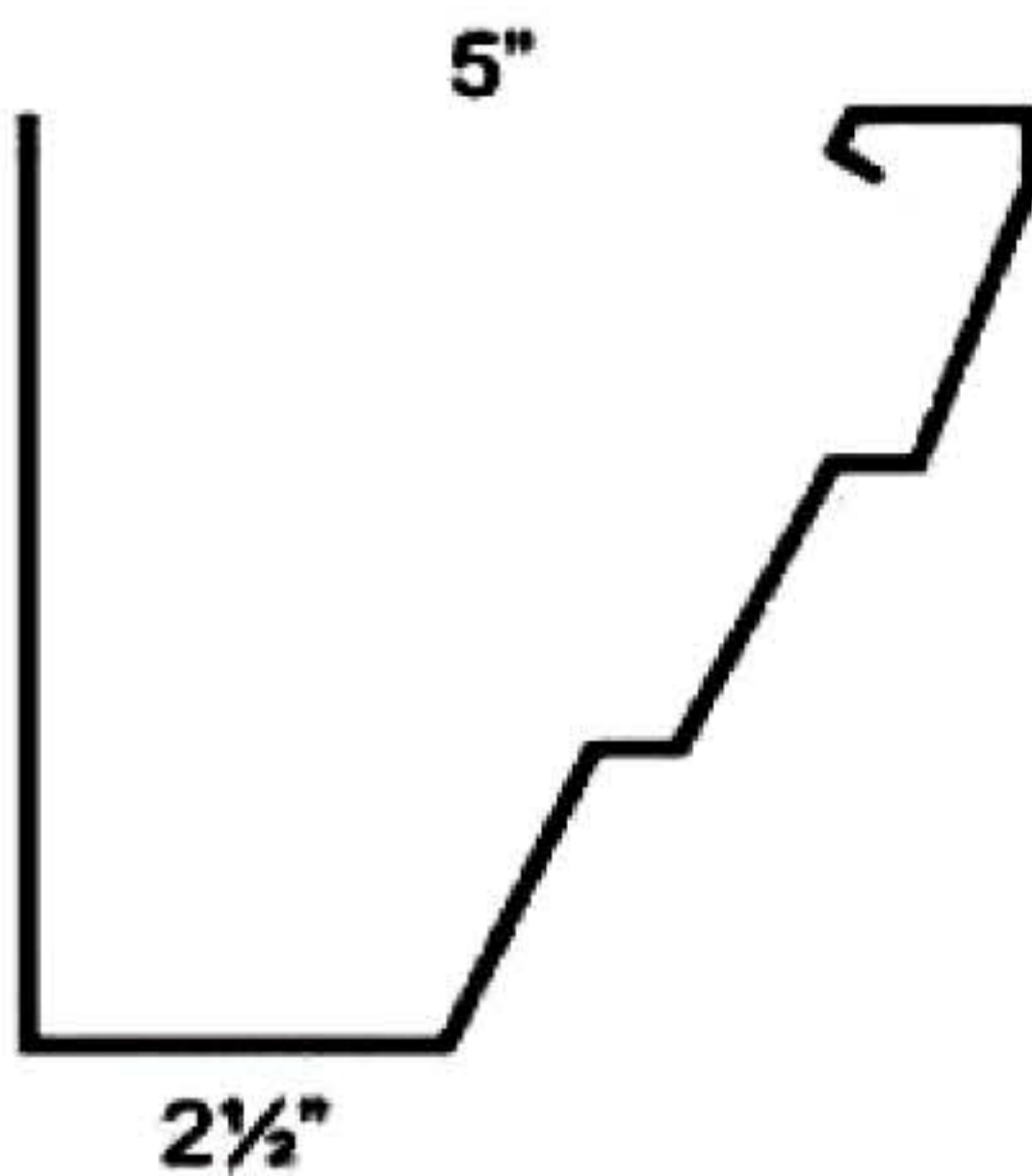


FASCIA STYLE



Fascia style gutters give the appearance of a fascia board, and consequently they have been termed "Fascia". NSHS provides fascia styles in Crown Mould, Two Step, and Flat Face profiles.

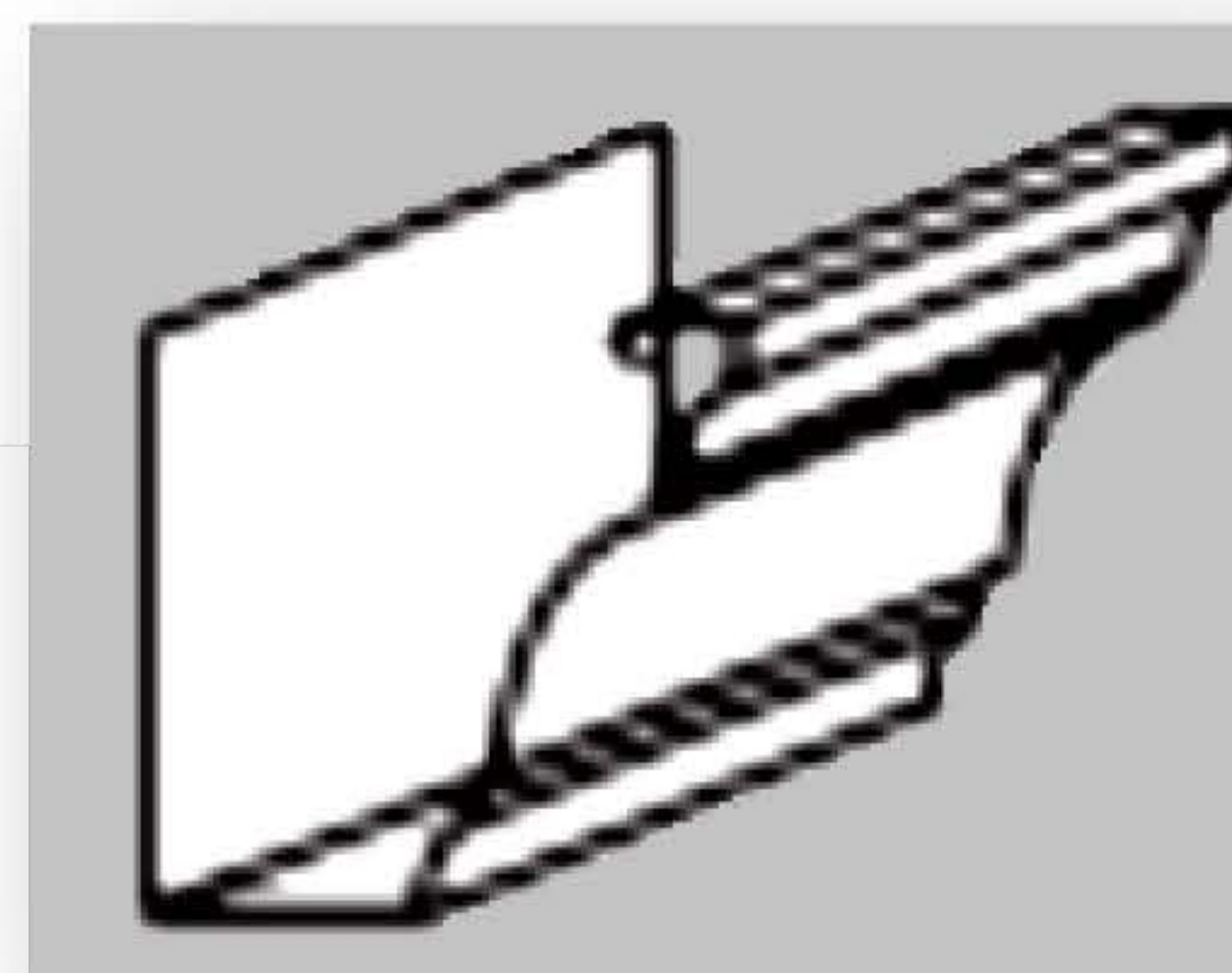
CROWN MOULD



TWO-STEP

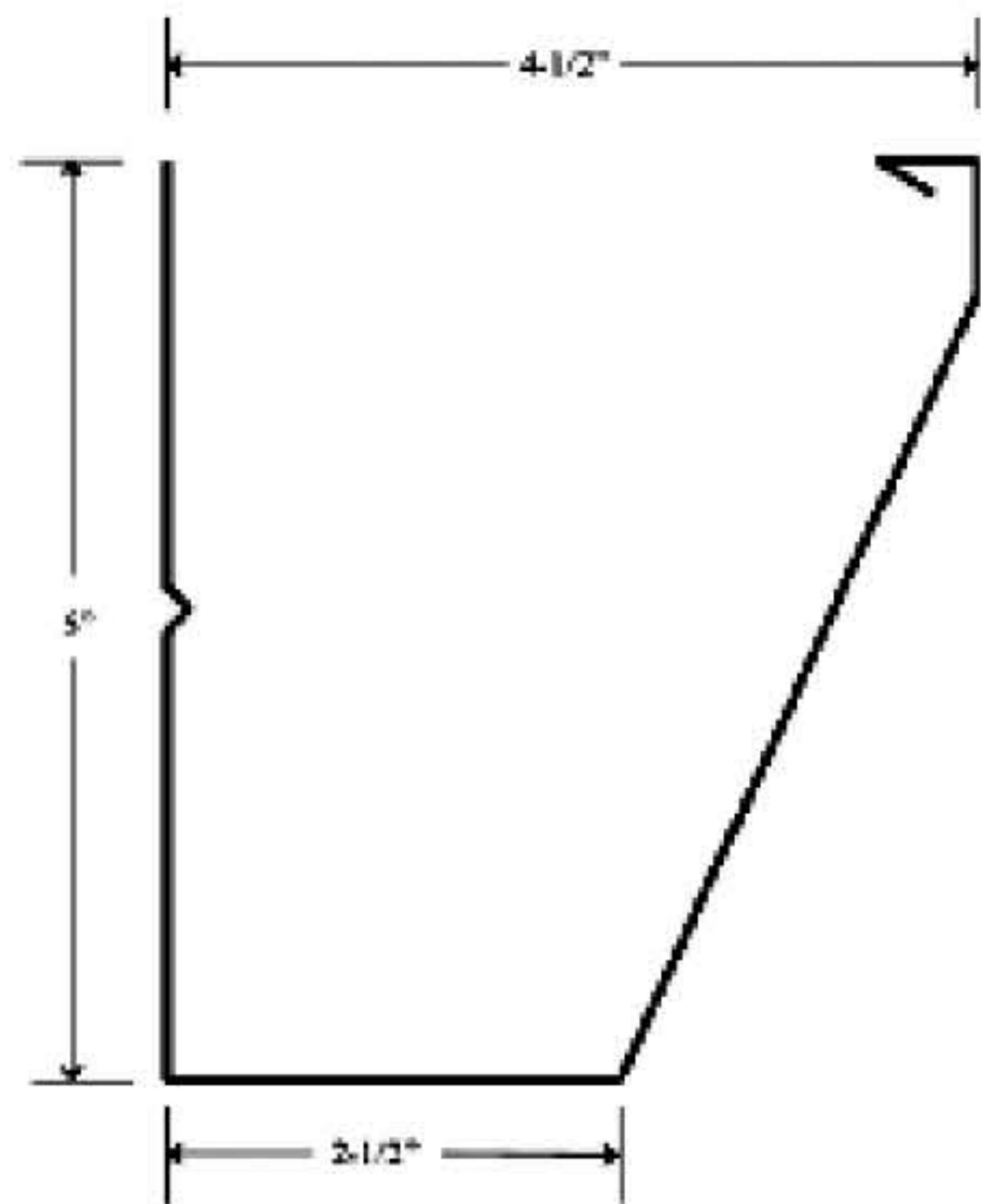


TRIPLE COVE

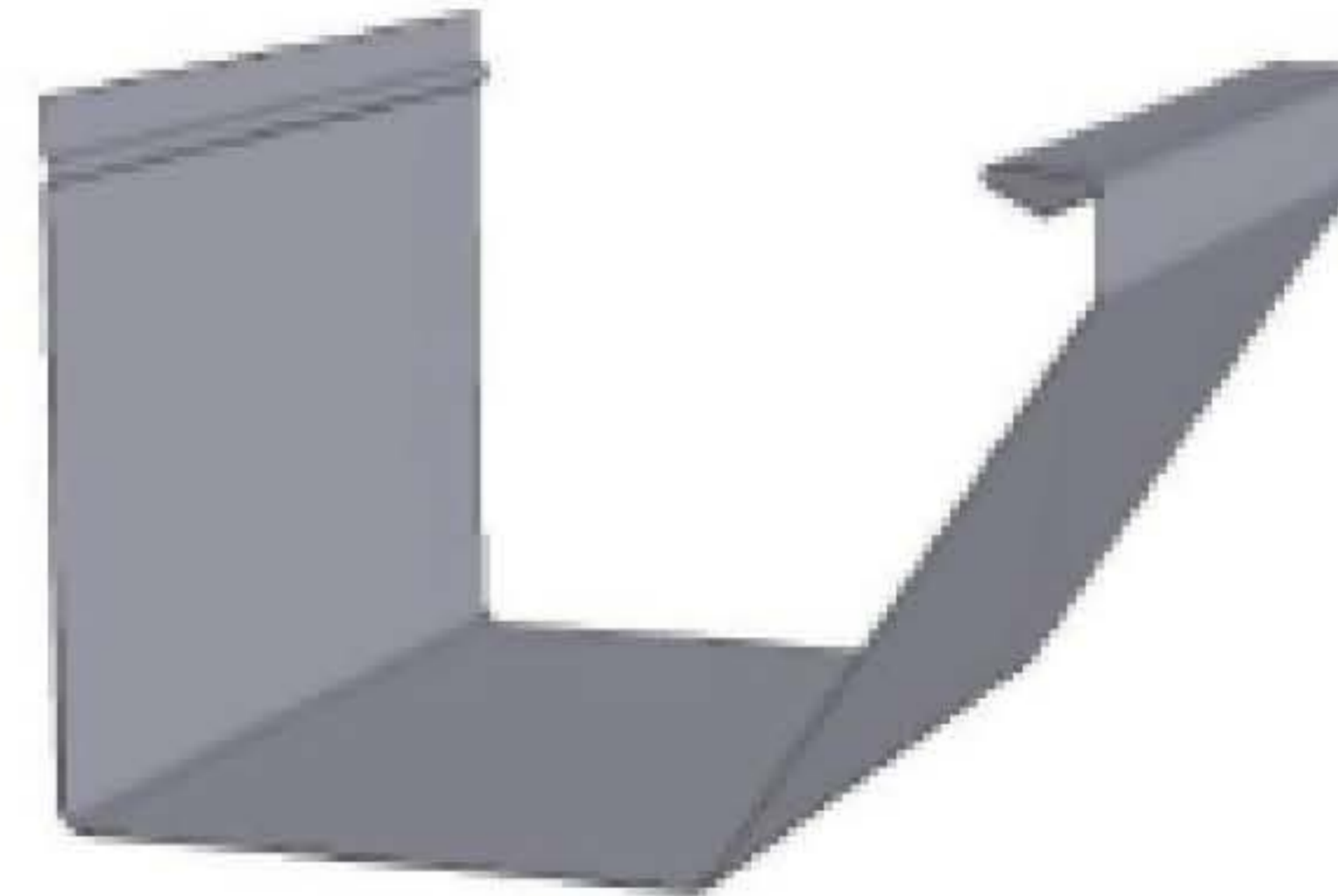




GUTTER STYLES & PROFILES offered by NSHS

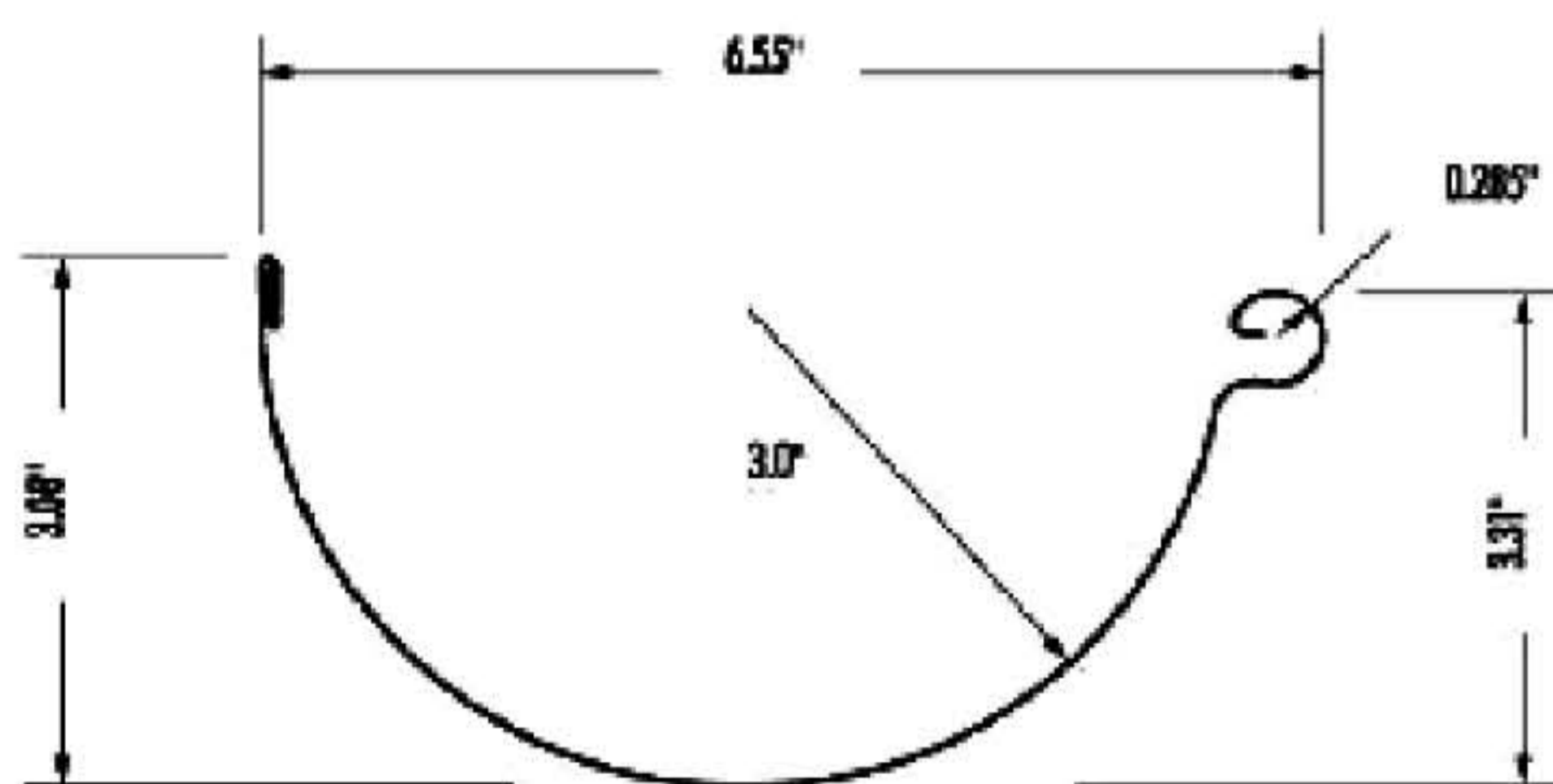


**COMMERCIAL
PLANE FACE**



Fascia style gutters are generally used where the builder has not installed a fascia board over the sub-fascia. The greater depth allows the gutter to cover the 2 x 4" sub fascia and soffit J-Trim for a clean look. They can also be used on a larger fascia board (2x6 or 2x8, etc.) if the style is preferred

EURO HALF-ROUND



The **Euro Half Round** gutter is very popular for its elegance. The unique round base of the Half Round Gutter prevents buildup from water and dirt and allows the gutter to virtually clean itself with each rainfall. This style gutter is frequently installed on high end custom homes, where a rich look and character is required. Half Round gutter is available in both 5" and 6" sizes, and in a choice of material - aluminum, copper, or zinc.

